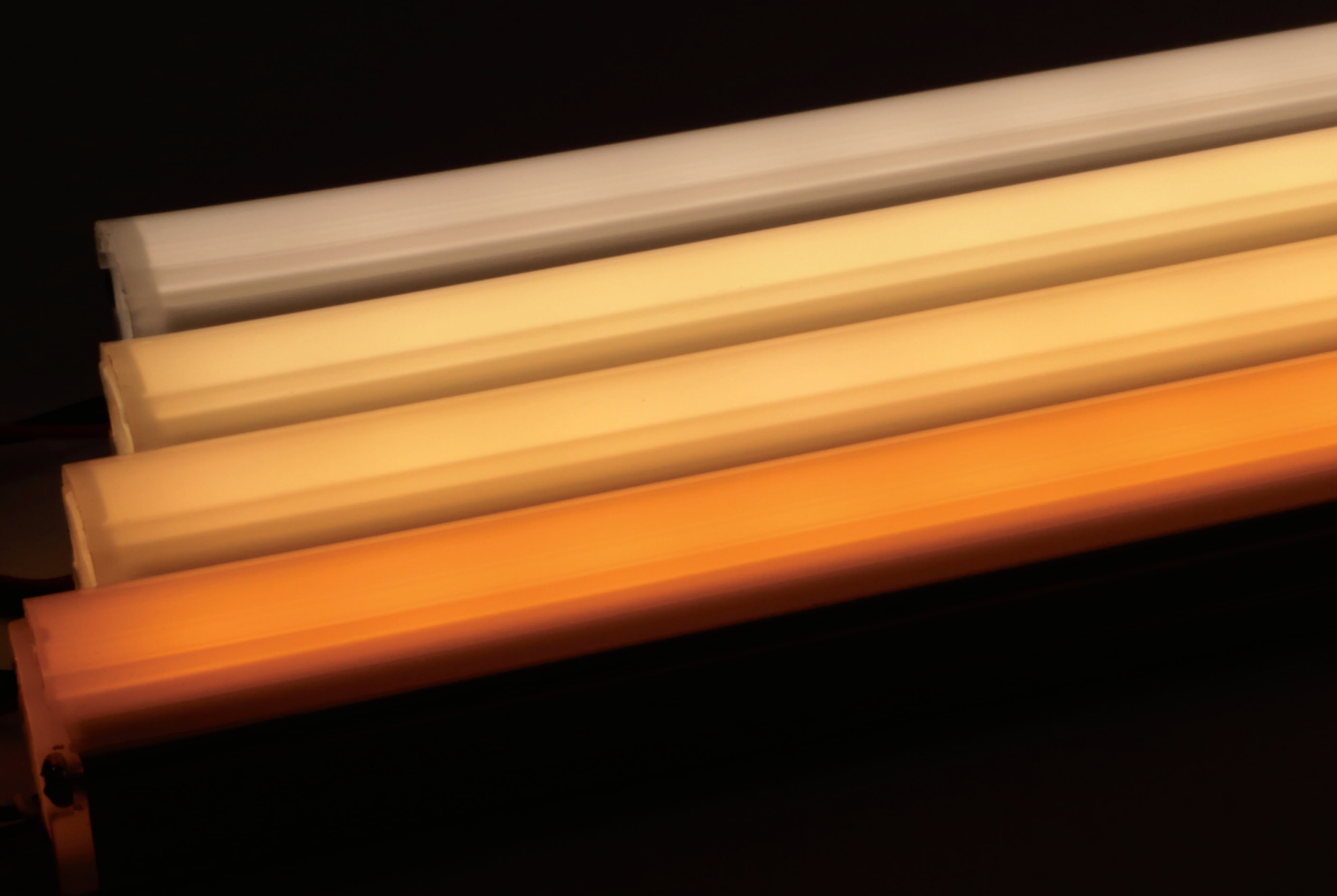


V-Tune-X

V-Tune-X is a linear LED fixture that can control colour temperature in the range of 2000K (Warm White) to 4000K (Cool White). Circadian rhythm programming is also available by using optional DMX system.

V-Tune-X is perfect for living room, study room and even activities room like, Yoga Studio. It allows user to adjust the mood of the room depending on their usage.



DC24V

16W/m
(max)

Indoor
use

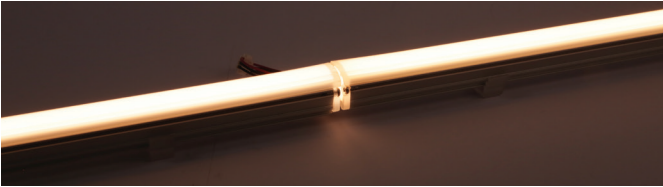
Custom
Length
*(Build-to-order
basis)*

LED
Spot-Less

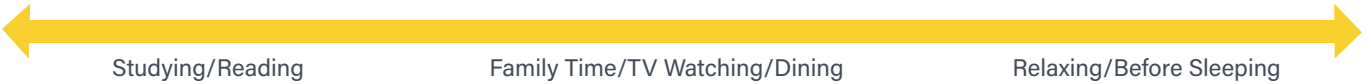
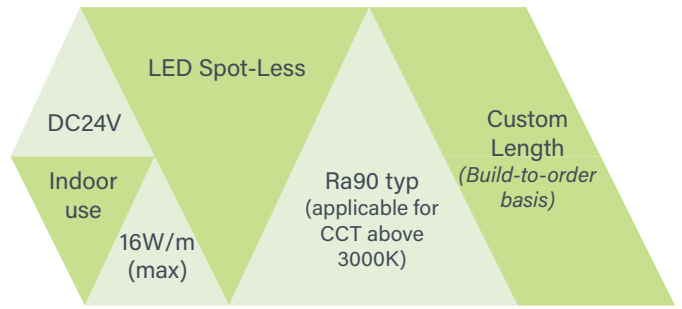
Ra90 typ
(applicable
for CCT
above
3000K)

FEATURES

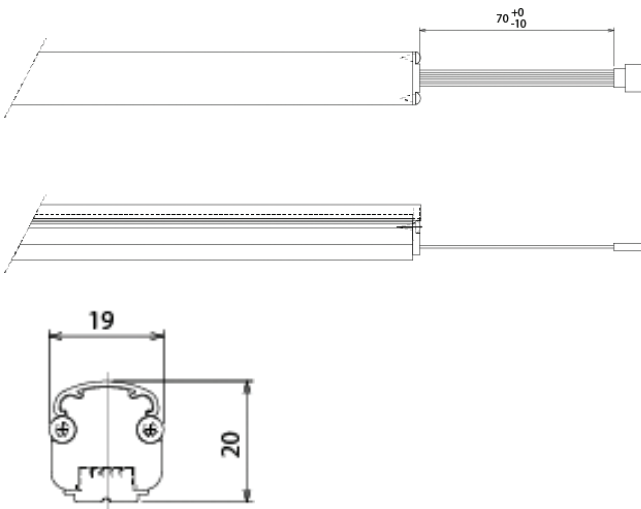
- Perfect solution for ambience lighting.
- Colour temperature are tuneable in the range from 2000K to 4000K.
- Circadian rhythm programming is also available by using optional DMX system.
- LED-Spot-Less. Uniform lighting effect along the whole surface of the diffuse cover.
- Colour temperature controlled by 0(1)-10V analogue signal using VR-Dimmer or W-Dimmer. (DMX or DALI control is also available by using another type of dimming interface driver unit).



BASIC SPECIFICATION

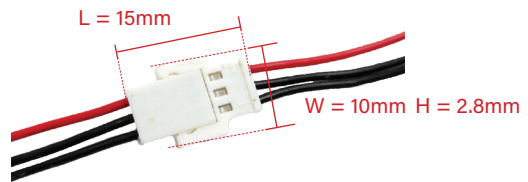


MECHANICAL DRAWING



※ Final design subject to change without prior notice

Male-Female Connector (Standard Spec comes with this connector)



Red Cable = Positive (+)
 Centre Black Cable = Cool White (-)
 Black Cable at extreme edge = Warm (-)

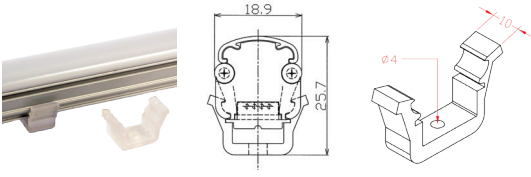


Connectors can be concealed by using mounting clip.

OPTIONAL ACCESSORIES

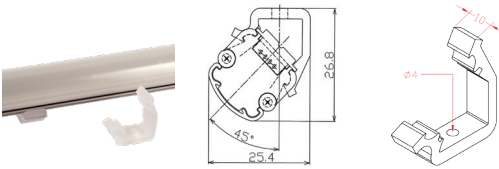
1 Mounting Clip Bracket 0° Flat Type

Model: MC-0DEG

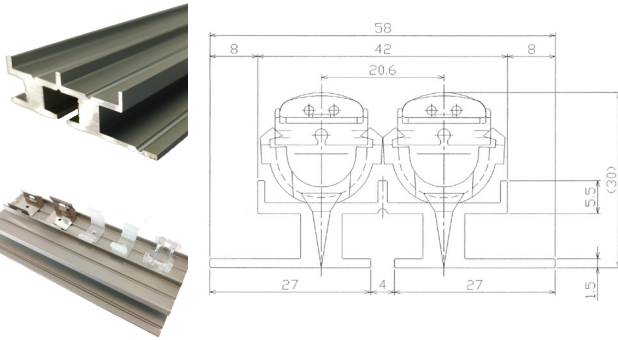


2 Mounting Clip Bracket 45° Type

Model: MC-45DEG



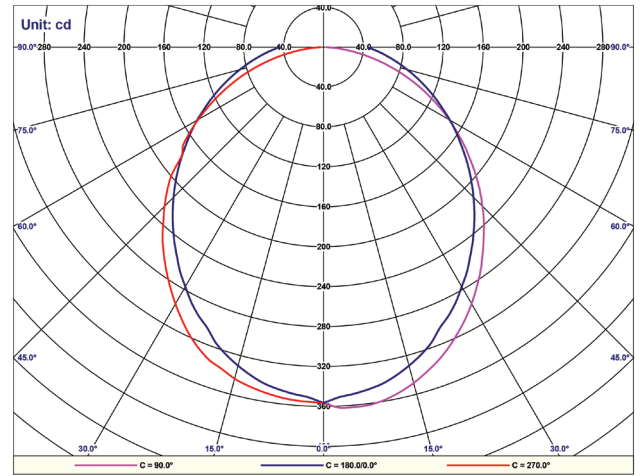
3 Aluminum Guide Rail



PHOTOMETRICS

1 V-TUNE-X (L960mm)

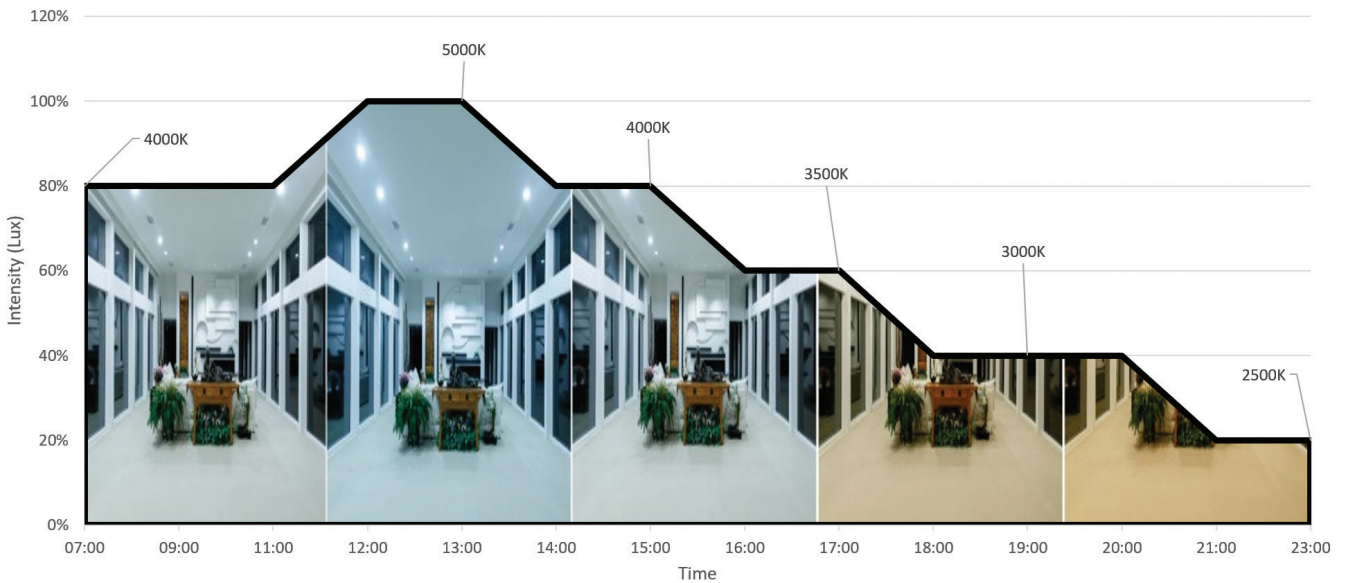
Model: VTX0960-xxAB
[L960mm / 14.8W / CCT 3000K]
Luminous flux (Luminaire): 1019 lm



※ For IES data, please contact our sales staff or distributor

CIRCADIAN RHYTHM PROGRAMMING CHART

Circadian Rhythm Programming
(Example for Optional DMX Programming)



MODEL NO

Model No

VTX XXXX – XX AB

Fixture Type

Fixture Length

Color Temperature

Type of LED used

Fixture Type

VTX → V-Tune-X (2nd version)

Fixture Length

0960 → L960mm, **Standard**

0640 → L640mm, **Standard**

0320 → L320mm, **Standard**

1280 → L1280mm, Build-to-order

0112 → L112mm, Build-to-order

Color Temperature

XX → Colour Tunable (for V-Tune series)

Type of LED used

AB → Tunable 2000K-4000K by NICHIA Japan (Ra85 typ)

Example

VTX

0960 – XX

AB

Fixture Type

Fixture Length

Color Temperature

Type of LED used

V-Tune-X
(2nd Version)

L960mm, Standard

Color Tunable
(For V-Tune series)

Tunable
2000K-4000K by
NICHIA Japan
(Ra85 typ)

PRODUCT SPECIFICATIONS

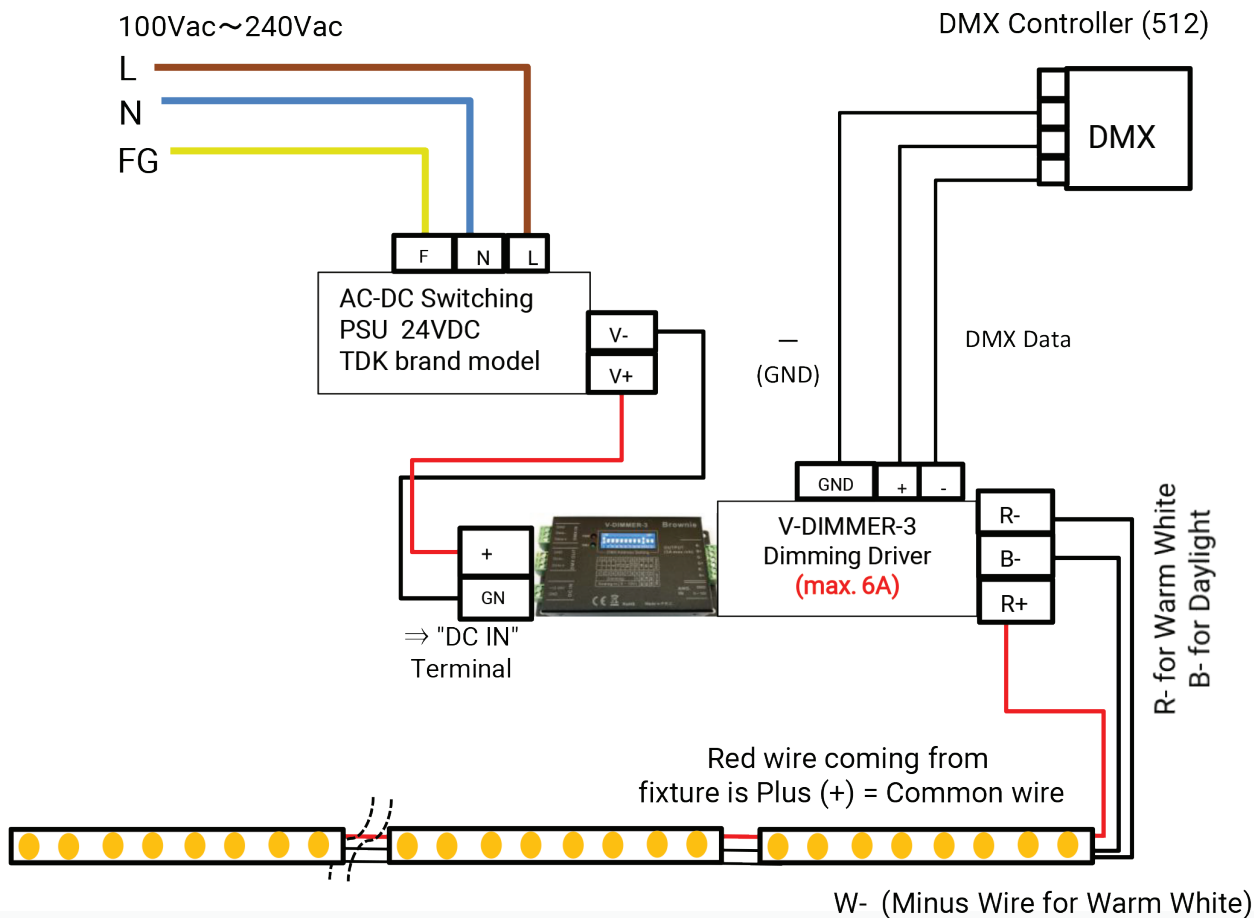
Product Name	V-Tune-X (Aprx. 16W/meter at maximum output)		
Model No.	VTX0320-XXAB (L320mm)	VTX0640-XXAB (L640mm)	VTX0960-XXAB (L960mm)
Input Voltage	24.0Vdc (TDK Lambda recommended)		
Power Consumption	5.0 W (Aprx. 16W/meter)	10.1 W (Aprx. 16W/meter)	15.2 W (Aprx. 16W/meter)
Dimension (mm)	320*19*20(H)	640*19*20(H)	960*19*20(H)
Weight	96 grams	187 grams	280 grams
Casing Body	Aluminium extrusion heatsink with frost polycarbonate cover		
LED Beam Angle	105°	105°	105°
Operating Temperature	-10°C~45°C	-10°C~45°C	-10°C~45°C
Maximum Length of Series Connection	4 meter	4 meter	4 meter
Option Parts	Mounting clip bracket 0° (flat) type		
No of LEDs	42	84	126
Power Supply Unit	24.0Vdc Constant-Voltage Switching Power Supply (*TDK Lambda brand)		
Dimming Control	*With recommended 0-10V /or DMX compatible dimming driver unit		
Lumens (typical @ 3000K)	340 Lumens @3000K max output	680 Lumens @3000K max output	1020 Lumens @3000K max output
Available LED Color			
Daylight 6500K	Available (= Dot-Less II)	Available (= Dot-Less II)	Available (= Dot-Less II)
Cool White 4000K	Available (= Dot-Less II)	Available (= Dot-Less II)	Available (= Dot-Less II)
3500K	Available (= Dot-Less II)	Available (= Dot-Less II)	Available (= Dot-Less II)
Light Warm 3000K	Available (= Dot-Less II)	Available (= Dot-Less II)	Available (= Dot-Less II)
Standard Warm 2700K	Available (= Dot-Less II)	Available (= Dot-Less II)	Available (= Dot-Less II)
Dark Warm 2400K	Not Applicable	Not Applicable	Not Applicable
RGB Full Color	Available (= Dot-Less II RGB)	Available (= Dot-Less II RGB)	Available (= Dot-Less II RGB)

PROJECT REFERENCE



Project List
Product Summary
V-Cove
V-Cove II P23 & P46
V-Cove II RGB
V-Tune-X
Dot-Less I-2
Dot-Less II
Dot-Less II RGB
V-Spectra
V-Wash II
V-Wash II RGBW
V-Wide
Dimmers

INSTALLATION / OPERATION GUIDANCE



LED Fixture, 24Vdc spec

Max Load 6A = Not more than 9 meter

※NOTE: Max nos of fixture in one series connection shall not exceed **4 meter**

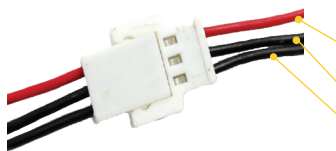


Caution 1

Make sure polarity (plus & minus) of all DC/LED wires are correct before switching on. Take note that **RED** colour wire of V-Tune is positive (+) as common wire, and black colour wire is negative (-) for both Daylight and Warm White respectively. **Reverse connection may damage LED circuit.**



Caution 2



Red/White Wire = Plus (+), Common Wire
Centre Black Wire = Minus (-) for Daylight
Black Colour Wire at the Extreme Edge = Minus (-) for Warm White



Caution 3

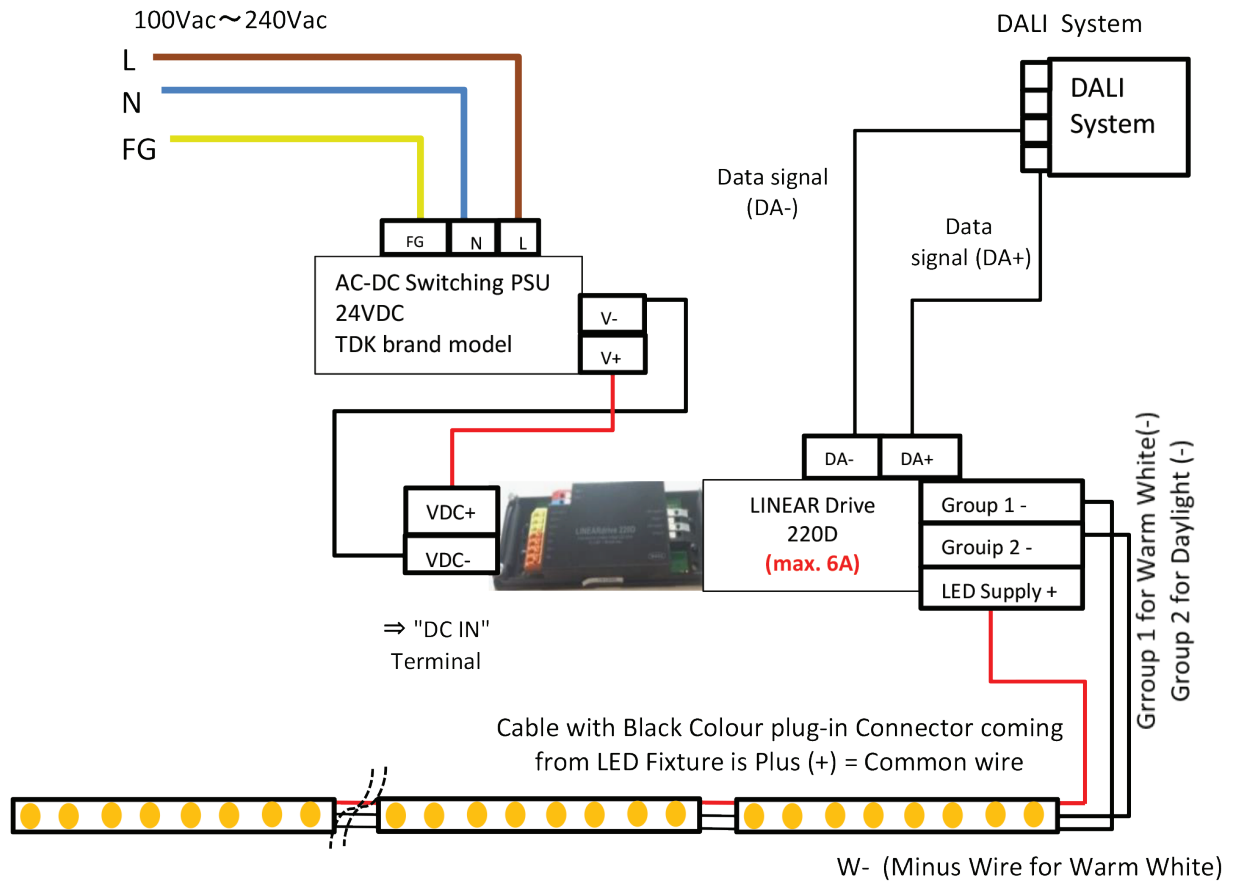
For extension wire from switching power supply unit to LED, use **AWG16(1.309mm²)** or thicker wire, provided distance between power supply unit and 1st LED is within 6 meter. Should distance between power supply unit and 1st LED exceeds 6 meter, please consult us individually on case-by-case basis, so that we will propose suitable wire gauge as well as wiring layout.



Caution 4

Depending on various type of nominal wattage for 24Vdc switching power supply unit, load ratio of LED must be properly calculated. Ideally LED load ratio should be controlled **below 85%** against nominal wattage of power supply unit based on indoor application where ambient temperature is set below 25°. For example, if 150W 24Vdc PSU is used, maximum load shall be within 127W (150W x 85%).

INSTALLATION / OPERATION GUIDANCE



LED Fixture, 24Vdc spec

Max Load 6A = Not more than 9 meter

※NOTE: Max nos of fixture in one series connection shall not exceed **4 meter**



Caution 1

Make sure polarity (plus & minus) of all DC/LED wires are correct before switching on. Take note that **RED** colour wire of V-Tune is positive (+) as common wire, and black colour wire is negative (-) for both Daylight and Warm White respectively. **Reverse connection may damage LED circuit.**



Caution 2



Red/White Wire = Plus (+), Common Wire
Centre Black Wire = Minus (-) for Daylight
Black Colour Wire at the Extreme Edge = Minus (-) for Warm White



Caution 3

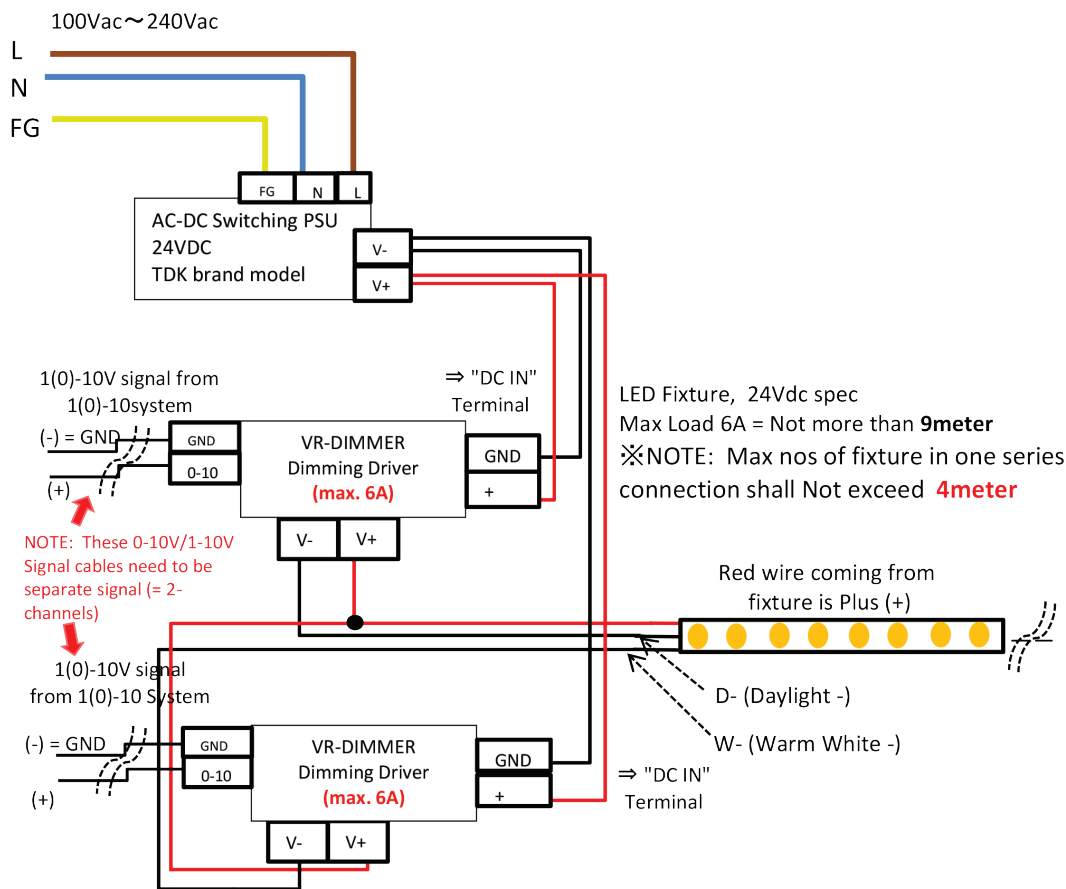
For extension wire from switching power supply unit to LED, use **AWG16(1.309mm²)** or thicker wire, provided distance between power supply unit and 1st LED is within 6 meter. Should distance between power supply unit and 1st LED exceeds 6 meter, please consult us individually on case-by-case basis, so that we will propose suitable wire gauge as well as wiring layout.



Caution 4

Depending on various type of nominal wattage for 24Vdc switching power supply unit, load ratio of LED must be properly calculated. Ideally LED load ratio should be controlled **below 85%** against nominal wattage of power supply unit based on indoor application where ambient temperature is set below 25°. For example, if 150W 24Vdc PSU is used, maximum load shall be within 127W (150W x 85%).

INSTALLATION / OPERATION GUIDANCE



Caution 1

Make sure polarity (plus & minus) of all DC/LED wires are correct before switching on. Take note that **RED** colour wire of V-Tune is positive (+) as common wire, and black colour wire is negative (-) for both Daylight and Warm White respectively. **Reverse connection may damage LED circuit.**

Caution 2

Red/White Wire = Plus (+), Common Wire
Centre Black Wire = Minus (-) for Daylight
Black Colour Wire at the Extreme Edge = Minus (-) for Warm White

Caution 3

For extension wire from switching power supply unit to LED, use **AWG16(1.309mm²)** or thicker wire, provided distance between power supply unit and 1st LED is within 6 meter. Should distance between power supply unit and 1st LED exceeds 6 meter, please consult us individually on case-by-case basis, so that we will propose suitable wire gauge as well as wiring layout.

Caution 4

Depending on various type of nominal wattage for 24Vdc switching power supply unit, load ratio of LED must be properly calculated. Ideally LED load ratio should be controlled **below 85%** against nominal wattage of power supply unit based on indoor application where ambient temperature is set below 25°. For example, if 150W 24Vdc PSU is used, maximum load shall be within 127W (150W x 85%).